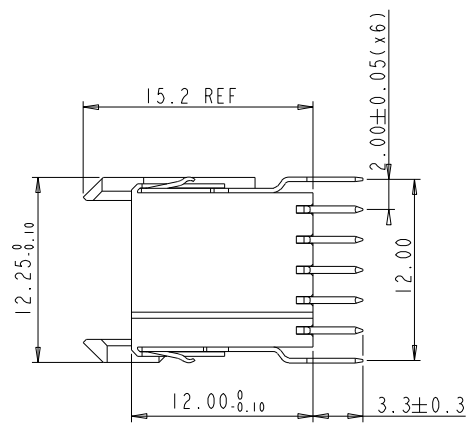
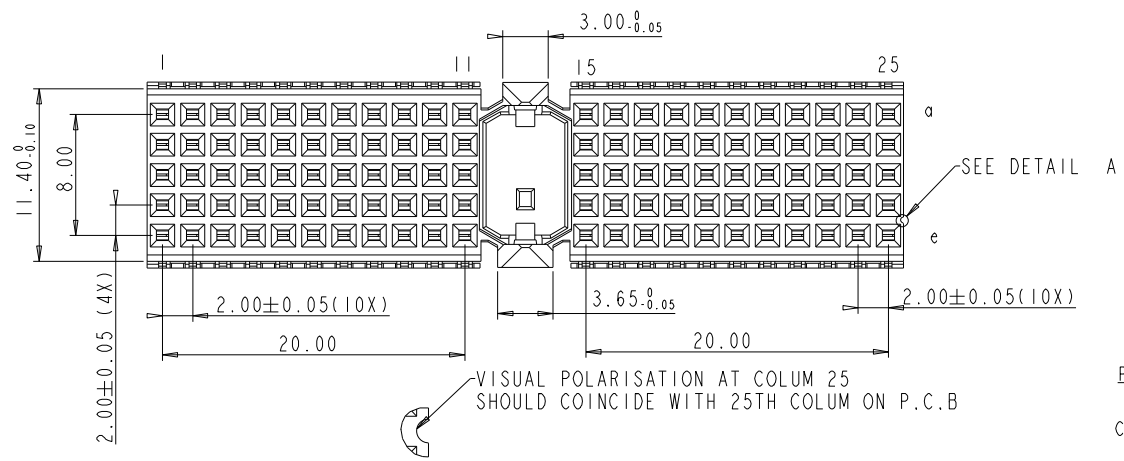


Tous droits strictement réservés. Reproduction ou communication à des tiers interdite sous quelque forme que ce soit sans autorisation écrite du propriétaire. Propriété de c FCI. Droits de reproduction FCI.

FCI

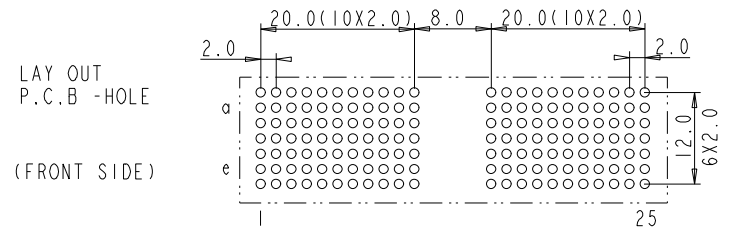
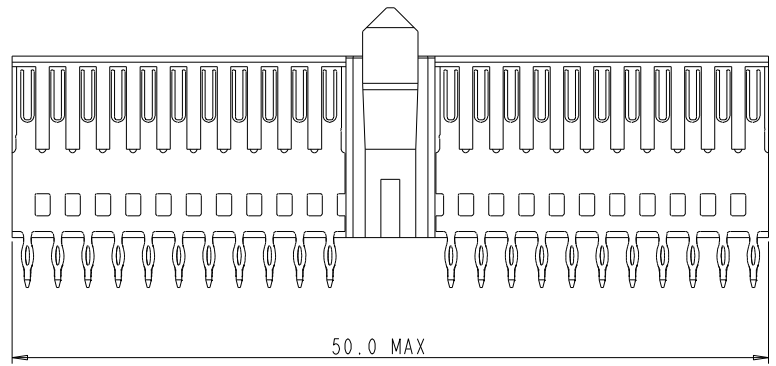
All rights strictly reserved. Reproduction or issue to third parties in any form whatever is not permitted without written authority from the proprietor. Property of FCI. Copyright FCI.



PERFORMANCE CHARACTERISTICS

- CURRENT RATING : 1.5A AT 20°C (FULLY LOADED)
1 A AT 70°C (FULLY LOADED)
- RATED VOLTAGE : 500 V AC (CONT /CONT)
- OPERATING TEMPERATURE : -55°C TO 125°C
- CONTACT RESISTANCE 20 MΩ MAX
- INSERTION FORCE : 0.75N MAX/CONT
- EXTRACTION FORCE : 0.15N MIN/CONT
- INSULATION RESISTANCE : 10⁴ MΩ MIN

- NOTES**
- LEAD FREE INDICATOR : LF=LEAD FREE
 - PERFORMANCE LEVEL INDICATOR (REF DWG NO. BSC .201844.003)
 - THIS PRODUCT IS CSA APPROVED. THIS PRODUCT IS UL RECOGNIZED.
 - FOR RECOMMENDED PTH DIMENSIONS REFER DRAWING :BS.A.201572.001
 - THIS PRODUCT (LF) MEETS EUROPEAN UNION DIRECTIVES AND OTHER COUNTRY REGULATIONS AS DESCRIBED IN GS-22-008



rev	ecn no	dr	date
A	CONVERSION REVISION 00	KN	14-09-01
B	104-0109	ALEX E	27-11-04
C	0605-0278	Kason	02-08-05
-	-	-	-
-	-	-	-
-	-	-	-
-	-	-	-

Material		Spec ref	
Mat code		tolerance	projection
Heatreat		1DEC±0.2 1DEC 2DEC±0.1 2DEC ANGLE±0.1° HOEKEN	MM
Plating/Finish		size A4	Scale 2.000
Dr M.Fret	30-10-97	Product family	MILLIPACS
Eng		Model Name	ECN
Chr		Model Revision	REL Level
Appr			
FCI	title	dwg no	Rev. c
Pro/E file	MILLIPACS 2/TYPE A (W/O LOC.PEG)/SHIELDED	BSC201907009	
catalog	HM2610PE5101	CUSTOMER DRAWING	sheet 1 of 1